

AUTODOME Mounts and Accessories



AUTODOME 7000i/7100i cameras are available as fully-assembled pendant or in-ceiling units. These units are packaged without mounting hardware or accessories so that you can choose only the parts needed for your application and environment. Bosch offers a full complement of hardware and accessories (sold separately) for wall, corner, mast, roof, and pipe mount for indoor and outdoor environments, which allow the camera to be adapted easily to individual site requirements.

System overview

Power Supply Boxes

Bosch offers power supply boxes for all mounting options and power supply accessories to enhance the aesthetics of the boxes.

Bosch offers a variety of stand-alone power supply boxes that are available without a transformer (for 24 VAC power input) and with either a 120 VAC or a 230 VAC transformer. Each power supply box offers 100 W output and the power supply box enclosures are NEMA-rated.

Also available is a replacement power supply box cover.

Power Supply	Description
VG4-A-PA0	Pendant Arm + Power Box without transformer (24 VAC)
VG4-A-PA1	Pendant Arm + Power Box with 120 VAC transformer
VG4-A-PA2	Pendant Arm + Power Box with 230 VAC transformer

- ▶ 24 VAC, 120 VAC, and 230 VAC power supply boxes
- ▶ Pendant Wall, Corner, Mast, Roof, and Pipe mounts
- ▶ In-ceiling support kits for suspended ceilings and for IP54 certification
- ▶ IP Fiber Optic Communication Units
- ▶ High-resolution acrylic replacement bubbles | IK10-rated nylon replacement bubble

Power Supply	Description	For Use With
VG4-A-PSU0	No transformer (24 VAC input), 100 W	VG4-PEND-ARM VG4-A-9543
VG4-A-PSU1	120 VAC transformer, 100 W	VG4-ROOF-MOUNT
VG4-A-PSU2	230 VAC transformer, 100 W	

Fiber Optic Kits

The Ethernet to SFP interface kit (VG4-SFPCKT) is a media converter module for use with AUTODOME 7000i cameras. This media converter is designed to accept a variety of 10/100 Mbps Small Form-factor Pluggable (SFP) modules for use with Multimode or Singlemode optical fiber with LC or SC connectors. The media converter module, along with the SFP module, is user-installed directly into the AUTODOME power supply box to provide an integrated fiber optic solution. The interface kit and the SFP module are a fiber optic kit that extends the range that the camera can receive commands and transmit video and data.

Pendant Mounts

The AUTODOME indoor/outdoor pendant housings can be connected to an arm, a roof, or to a pipe mount. Pendant arm mounts are available with a connected power supply box or as a separate arm with connected wiring. All pendant arm mounts can be connected to a corner or mast (pole) adapter, extending the installation options.

In addition to the arm mounts, Bosch offers a pipe mount and a roof parapet mount. The pipe mount allows an AUTODOME pendant housing to be attached to a 1-1/2 inch (NPS) pipe (user-supplied). The roof parapet mount is an aluminum pole that secures an AUTODOME pendant to a roof surface. In addition, accessories are available to secure the parapet mount to a flat roof surface.

Pendant housings must be mounted to an arm or to a pipe using one of the options below. Various mounting accessories are also available to extend these mounting options to a host of applications.

VGA-PEND-ARM	Arm mount with wiring, no power supply box
VG4-A-9543	Pipe mount for a 1-1/2 inch (NPS) pipe
VGA-ROOF-MOUNT	Roof mount with parapet only (requires additional purchase of VG4-A-9543)

Pendant Mount Accessories

Accessory	Description	For Use With
VGA-PEND-WPLATE	Mounting plate	VGA-PEND-ARM
VG4-A-9541	Mast (Pole) mount adapter	
VG4-A-9542	Corner mount adapter	
LTC 9230/01	Flat roof mount adapter	VGA-ROOF-MOUNT

In-ceiling Support Kits

AUTODOME in-ceiling housings do not require optional accessories when mounting to drywall ceilings, but support kits are available for specific installation needs.

For suspended or drop ceilings, Bosch offers a kit that provides the necessary support to secure the in-ceiling housing to a ceiling tile.

Bosch also offers a kit for AUTODOME 7000i in-ceiling cameras that is IP54-compliant with no additional purchases necessary.

In-ceiling housings can be mounted to a drywall ceiling out of the box, but Bosch offers various kits to attach an in-ceiling housing to a suspended or to a drop ceiling. Kits are also available to add IP54 environmental protection to these housings.

Support Kit	Description	For Use With
VGA-IC-SP	Bracket for suspended or drop ceilings	AUTODOME 7000 Series in-ceiling models

VGA-IP54K-IC	Gasket kit for IP54 certification	Legacy AUTODOME in-ceiling models (100/600 Series)
--------------	-----------------------------------	--

Bubbles

Bosch offers a range of bubbles for in-ceiling and pendant housings.

Acrylic bubbles offer enhanced image clarity for high-resolution images but are low-impact. The IK10-rated, nylon bubble provides both impact resistance and HD quality image resolution.

Clear bubbles offer maximum sensitivity by allowing as much light through as possible. Tinted bubbles offer coyness by making it difficult to see from the outside the direction the camera is facing.

Bubbles and trim rings for current AUTODOME 7000i/7100i in-ceiling cameras

Description	Bubble Part Number	Trim Ring Information
Clear high-resolution acrylic	VGA-BUBBLE-CCLA	Includes small rings. (Bubble comes assembled with white ring; if you want black ring, you must swap the ring.) Fits any small in-ceiling can.
Tinted high-resolution acrylic	VGA-BUBBLE-CTIA	
Clear HD high-resolution acrylic	VGA-BUBHD-CCLA	Includes small rings. The inner ring is part of the bubble and cannot be separated from it.
Tinted HD high-resolution acrylic	VGA-BUBHD-CTIA*	

* *Included with camera.*

Bubbles for Pendant Cameras

Description	Bubble Part Number
Clear high-resolution acrylic	VGA-BUBBLE-PCLA
Tinted high-resolution acrylic	VGA-BUBBLE-PTIA
Clear rugged IK10-rated nylon	VGA-BUBBLE-IK10

Regulatory information

Region	Regulatory compliance/quality marks
Europe	CE (Declaration of Conformity)

Installation/configuration notes

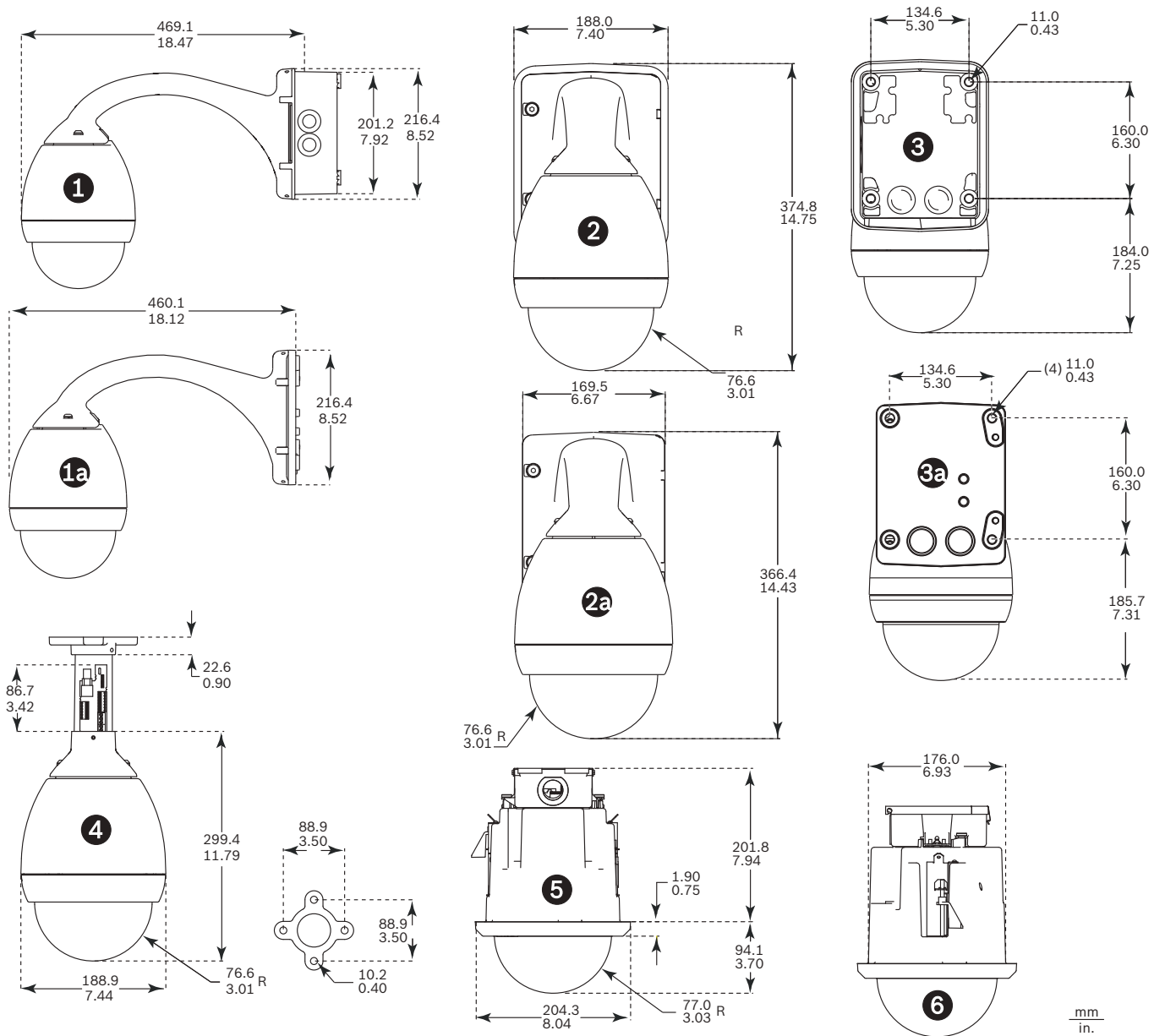


Fig. 1: Dimensions, Indoor AUTODOME cameras with mounting options

- 5 In-ceiling Mount - Front
- 6 In-ceiling Mount - Side

Description

- 1 Wall Mount - Side with power supply
- 1a Wall/Mast Mount - Side with VGA-PEND-WPLATE
- 2 Wall Mount - Front with power supply with VGA-PEND-WPLATE
- 2a Wall Mount - Front with power supply
- 3 Wall Mount - Back with power supply with VGA-PEND-WPLATE
- 3a Wall Mount - Back with power supply
- 4 Pipe Mount

mm
in.

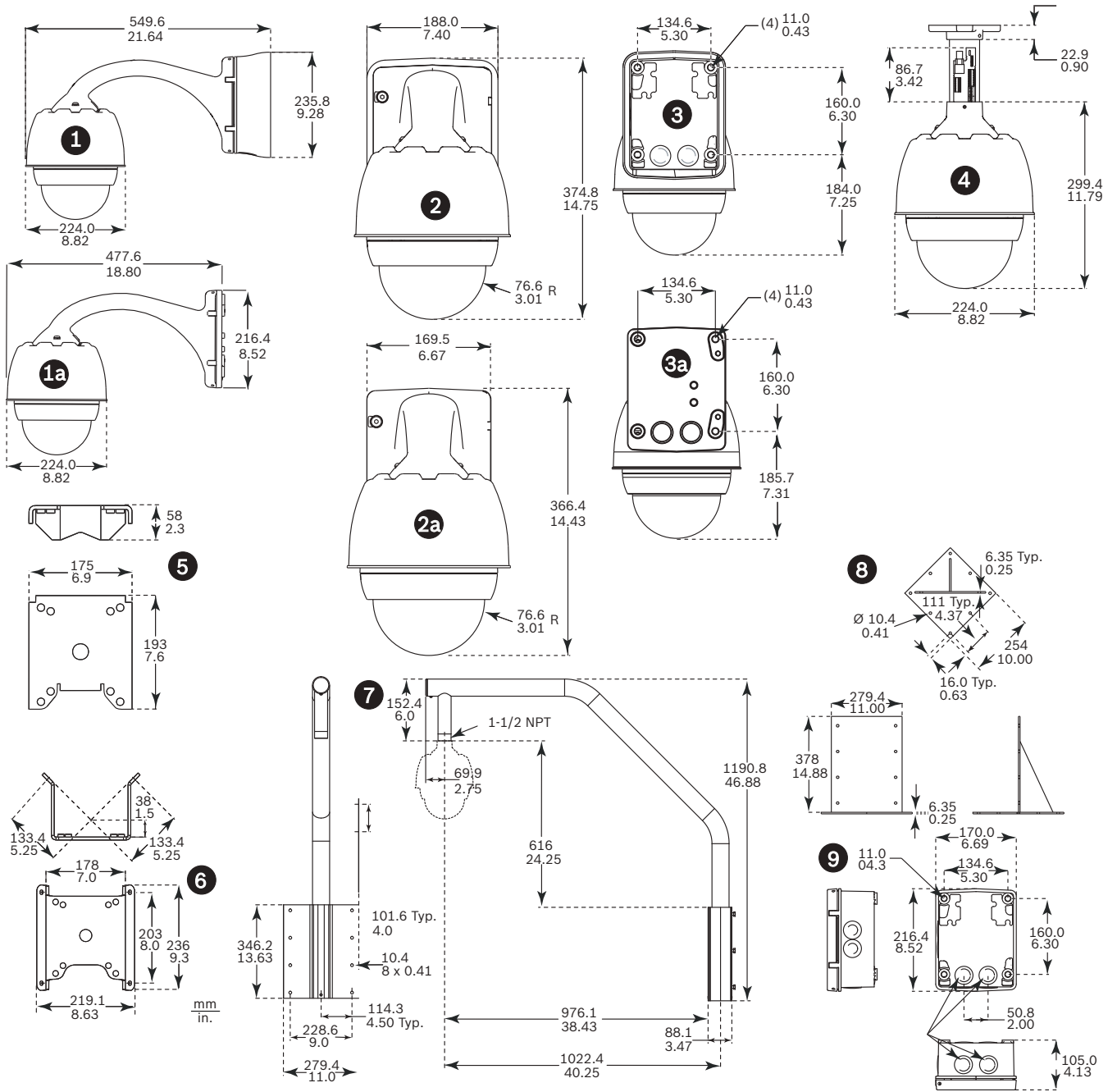


Fig. 2: Dimensions, Outdoor AUTODOME cameras with mounting options and power supply box

Reference Description

- 1 Wall Mount - Side with power supply
- 1a Wall/Mast Mount - Side with VGA-PEND-WPLATE
- 2 Wall Mount - Front with power supply
- 2a Wall Mount - Front with power supply
- 3 Wall Mount - Back with power supply
- 3a Wall Mount - Back with power supply

- 4 Pipe Mount
- 5 Mast (Pole) Mount Adapter
- 6 Corner Mount Adapter
- 7 Roof Mount
- 8 Roof Mount Adapter
- 9 Power Supply for Pipe and Roof Mounts

Technical specifications

Pendant Mounts

Dimensions

Indoor Pendant Mounts¹ (W x H x D)

VGA-PEND-ARM	169.5 x 366.4 x 460.1 mm (6.67 x 14.43 x 18.12 in.)
--------------	--

Outdoor Pendant Mounts¹ (W x H x D)

VGA-PEND-ARM	224.0 x 366.4 x 477.6 mm (8.82 x 14.43 x 18.8 in.)
--------------	---

Pendant Mount Accessories

VGA-PEND-WPLATE (W x H)	169.5 x 216.4 mm (6.67 x 8.52 in.)
VG4-A-9541 (W x H x D)	175.0 x 183.0 x 58.9 mm (6.9 x 7.6 x 2.3 in.)
VG4-A-9542 (W x H x D)	219.1 x 236.0 x 216.4 mm (8.63 x 9.3 x 5.25 in.)
VGA-ROOF-MOUNT (W x H)	1,022.4 x 1,190.8 mm (40.25 x 46.88 in.)
LTC 9230/01 (W x H)	254.0 x 254.0 mm (10.0 x 10.0 in.)

1. Dimensions include the mount and the connected pendant housings.

The VGA-ROOF-MOUNT has 1.5-in. NPT tapered male threads.

Power Supplies

Specifications	VG4-A-PSU0	VG4-A-PSU1	VG4-A-PSU2
Input	24 VAC, 50/60 Hz	120 VAC, 50/60 Hz	230 VAC, 50/60 Hz
Output rating	24 V @ 96 VA	24 V @ 96 VA	24 V @ 96 VA
Input fuses	5.0 A	1.6 A	0.8 A
Output fuses, camera	2.0 A	2.0 A	2.0 A
Output fuses, heater	3.15 A	3.15 A	3.15 A

Model	Input	Output Rating	Input Fuses	Output Fuses	
				Camera	Heater

VG4-A-PSU0	24 VAC, 50/60 Hz	24 V @ 96 VA	5.0 A	2.0 A	3.15 A
VG4-A-PSU1	120 VAC, 50/60 Hz	24 V @ 96 VA	1.6 A	2.0 A	3.15 A
VG4-A-PSU2	230 VAC, 50/60 Hz	24 V @ 96 VA	0.8 A	2.0 A	3.15 A

Mechanical

Certifications	UL, CE, Plenum Rated
Dimensions (W x H x D), all models ²	170.0 x 216.4 x 105.0 mm (6.69 x 8.52 x 4.13 in.)
Construction Material	Cast Aluminum
Standard Color	White (RAL9003)
Standard Finish	Powder coated, sand finish

2. Dimensions for power supplies include the cover.

Environmental

Operating Temperature	-60°C to 55°C (-76°F to 131°F)
Humidity	0% to 100%, condensing
Environmental Protection	IP66, IK 8 (IEC 62262)

Fiber Optic Kits

VG4-SFPSCKT

Description	Fiber Optic Ethernet Media Converter kit. Requires a small form-factor pluggable (SFP) module (sold separately).
Data Interface	Ethernet
Data Rate	10/100 Mbps IEEE 802.3 Compliant Full Duplex or Half Duplex Electrical Port Full Duplex Optical Port
Compatible Receiver	CNFE2MC/IN
Installation	Installed inside a VG4-A-PA1, VG4-A-PA2, VG4-A-PSU1 or a VG4-A-PSU2 power supply box, with supplied mounting hardware.

Note: Wiring for the VG4-SFPCKT must be routed through the proper conduit opening on the power supply box. Refer to the installation guide that accompanies the module.

Operating Temperature	-40 °C to +50 °C (-40 °F to +122 °F)
-----------------------	---

SFP Modules

Description	Interchangeable modules available for use with MMF or SMF optical fiber.
Data Interface	Ethernet
Data Rate	10/100 Mbps IEEE 802.3 Compliant

Mechanical

Dimensions (W x H x D)	
• SFP-2 and SFP-3	13.5 x 8.5 x 55.5 mm (0.5 x 0.3 x 2.2 in.)
• SFP-23, SFP-24, SFP-25, SFP-26	13.5 x 8.5 x 63.8 mm (0.5 x 0.3 x 2.5 in.)
Weight (all SFP modules)	0.23 kg (.05 lb)

	Type	Connector	Wavelength (transmit/receive)	Max. Distance
SFP-2	MMF	Duplex LC	1310 nm / 1310 nm	2 km (1.2 miles)
SFP-3	SMF	Duplex LC	1310 nm / 1310 nm	20 km (12.4 miles)
SFP-25	MMF	Single SC	1310 nm / 1550 nm	2 km (1.2 miles)
SFP-26	MMF	Single SC	1550 nm / 1310 nm	2 km (1.2 miles)

Fiber Compatibility

Optical Fiber Compatibility, MMF	50/125 µm MMF. For 50/125 µm fiber, subtract 4 dB from the specified optical budget value. Must meet or exceed fiber standard ITU-T G.651.
Optical Fiber Compatibility, SMF	8-10/125 µm SMF. Must meet or exceed fiber standard ITU-T G.652.

Optical Distance Specifications	Specified transmission distances are limited to the optical loss of the fiber and any additional loss introduced by connectors, splices, and patch panels. The modules are designed to operate over the entire optical loss budget range, so they do not require a minimum loss in order to operate.
---------------------------------	--

VGA-BUBBLE-IK10 for Pendant Cameras

Construction material	Nylon
Size	Ø 181.80
External Mechanical Impact (IK Code or Impact rating)	IK10
UV Rating for Sunlight	F1

Ordering information

VGA-PEND-ARM Pendant arm with wiring, for AUTODOME

Compatible with an AutoDome Series pendant housing
Order number **VGA-PEND-ARM | F.01U.247.810**
F.01U.261.947

VGA-PEND-WPLATE Mounting plate for VGA-PEND-ARM

Mounting plate for VGA-PEND-ARM, compatible with an AutoDome Series camera
Order number **VGA-PEND-WPLATE | F.01U.247.809**

VGA-ROOF-MOUNT Roof parapet mount for AUTODOME series

Roof parapet mount, white, for AUTODOME cameras
Order number **VGA-ROOF-MOUNT | F.01U.247.811**

LTC 9230/01 Parapet roof mount adapter

Flat Roof Mount Adapter for mounting a unit in an upright position on a flat surface.
Order number **LTC 9230/01 | F.01U.503.630**

VG4-A-9541 Pole mount adapter

Pole mount adapter for an AUTODOME pendant arm or a DINION imager, designed for poles with a diameter of 100-380 mm (4-15 in.), white
Order number **VG4-A-9541 | F.01U.123.433**

VG4-A-9542 Corner mount adapter for AUTODOME

Corner mount adapter for an AUTODOME pendant arm or a DINION imager
Order number **VG4-A-9542 | F.01U.123.434**

VG4-A-9543 Pipe mount for AUTODOME, white

Pipe mount, white, for an AUTODOME pendant housing
Order number **VG4-A-9543 | F.01U.009.673**

HAC-PIPE125 Pipe for VG4-A-9543, 125cm

125 cm Pipe for LTC 9543W
Order number **HAC-PIPE125 | F.01U.516.544**

HAC-PIPE30 Pipe for VG4-A-9543, 30cm

30 cm Pipe for LTC 9543W
Order number **HAC-PIPE30 | F.01U.516.545**

HAC-PIPE50 Pipe for VG4-A-9543, 50cm

50 cm Pipe for LTC 9543W
Order number **HAC-PIPE50 | F.01U.516.547**

HAC-PIPE80 Pipe for VG4-A-9543, 80cm

80 cm Pipe for LTC 9543W

Order number **HAC-PIPE80 | F.01U.516.548****HAC-EXT001 Pipe coupler for HAC-PIPExx**

Extender pipe for HAC-PIPE

Order number **HAC-EXT001 | F.01U.017.460****VGA-IP54K-IC In-ceiling IP54 kit for AUTODOME**

Gasket kit for AutoDome 100 and 600 Series, AutoDome In-ceiling mounts required for IP54 environmental rating.

Order number **VGA-IP54K-IC | F.01U.218.804****VGA-IC-SP Suspended ceiling support kit, 7"**

Suspended ceiling support kit for dome cameras.

Aperture Ø177 mm (Ø7 in). Maximum supported weight 11.3 kg (25 lb).

Order number **VGA-IC-SP | F.01U.245.271****VG4-A-PA0 Pendant arm, power box, 24VAC, AUTODOME**

Pendant arm mount with power supply box for an AUTODOME Series camera, no transformer, white

Order number **VG4-A-PA0 | F.01U.009.671****F.01U.081.560 F.01U.096.637 F.01U.097.435****F.01U.261.373****VG4-A-PA1 Pendant arm, power box, 120VAC, AUTODOME**

Pendant arm mount with power supply box for an AUTODOME Series camera with a 120 VAC transformer, white

Order number **VG4-A-PA1 | F.01U.261.374****F.01U.009.663 F.01U.081.571****VG4-A-PA2 Pendant arm, power box, 230VAC, AUTODOME**

Pendant arm mount with power supply box for an AUTODOME Series camera with a 230 VAC transformer, white

Order number **VG4-A-PA2 | F.01U.009.664****F.01U.081.582 F.01U.096.638 F.01U.097.431****F.01U.261.375****VG4-A-PSU0 Power supply, 24VAC**

Power supply, 24 VAC input, for a PTZ camera in the AUTODOME Series. White, aluminum enclosure with cover, rated IP66 and IK 08. 100 W output.

Order number **VG4-A-PSU0 | F.01U.261.376****VG4-A-PSU1 PSU, 120VAC, for AUTODOME, MIC7000**

Power supply for AUTODOME 7000, MIC IP cameras without illuminators.

120VAC in, 24VAC out

Order number **VG4-A-PSU1 | F.01U.081.593****F.01U.009.667 F.01U.261.377****VG4-A-PSU2 Power supply, 230VAC, AUTODOME, MIC7000**

Power supply for AUTODOME 7000, MIC IP cameras without illuminators.

230VAC in, 24VAC out

Order number **VG4-A-PSU2 | F.01U.009.668****F.01U.096.639 F.01U.097.433 F.01U.081.604****F.01U.261.378****VGA-SBOX-COVER Cover for AUTODOME power supply box**

Cover for AUTODOME Power Supply Boxes, white

Order number **VGA-SBOX-COVER | F.01U.247.808****F.01U.010.505****VG4-SFPSCKT Ethernet to SFP interface kit**

Ethernet media converter video transmitter/data receiver fiber optic kit for AUTODOME 7000i cameras and for the Surveillance cabinets (NDA-U-PA0, NDA-U-PA1 and NDA-U-PA2).

Order number **VG4-SFPSCKT | F.01U.142.529****VGA-BUBBLE-CCLA Bubble, in-ceiling, clear**

Low-impact acrylic bubble

Order number **VGA-BUBBLE-CCLA | F.01U.283.402****VGA-BUBBLE-CTIA Bubble, in-ceiling, tinted**

Low-impact acrylic bubble

Order number **VGA-BUBBLE-CTIA | F.01U.283.403****VGA-BUBBLE-PCLA Bubble, pendant, clear**

Low-impact acrylic bubble

Order number **VGA-BUBBLE-PCLA | F.01U.247.818****VGA-BUBBLE-PTIA Bubble, pendant, tinted**

Low-impact acrylic bubble

Order number **VGA-BUBBLE-PTIA | F.01U.247.820****VGA-BUBLRG-CTIA Bubble, in-ceiling, large, tinted**

High-resolution bubble for AUTODOME in-ceiling cameras, tinted

Order number **VGA-BUBLRG-CTIA | F.01U.283.404****VGA-BUBHD-CCLA Bubble, in-ceiling, clear**

High-resolution acrylic bubble for AUTODOME HD in-ceiling cameras, clear

Order number **VGA-BUBHD-CCLA | F.01U.281.737****VGA-BUBHD-CTIA Bubble, in-ceiling, tinted**

High-resolution acrylic bubble for AUTODOME HD in-ceiling cameras, tinted

Order number **VGA-BUBHD-CTIA | F.01U.281.738****VGA-BUBBLE-IK10 Bubble, pendant, IK10-rated**

IK10-rated bubble qualified for use with AUTODOME 7000 HD cameras with pendant housings

Order number **VGA-BUBBLE-IK10 | F.01U.315.882****Services****EWE-VG4PA2-IW 12 mths wrty ext VG4-A-**

12 months warranty extension

Order number **EWE-VG4PA2-IW | F.01U.346.349****EWE-VG4PS2-IW 12 mths wrty ext VG4-A-PSu2**

12 months warranty extension

Order number **EWE-VG4PS2-IW | F.01U.346.348**

Represented by:

Europe, Middle East, Africa:

Bosch Security Systems B.V.
P.O. Box 80002
5600 JB Eindhoven, The Netherlands
Phone: + 31 40 2577 284
www.boschsecurity.com/xc/en/contact/
www.boschsecurity.com

Germany:

Bosch Sicherheitssysteme GmbH
Robert-Bosch-Ring 5
85630 Grasbrunn
Tel.: +49 (0)89 6290 0
Fax: +49 (0)89 6290 1020
de.securitysystems@bosch.com
www.boschsecurity.com

North America:

Bosch Security Systems, LLC
130 Perinton Parkway
Fairport, New York, 14450, USA
Phone: +1 800 289 0096
Fax: +1 585 223 9180
onlinehelp@us.bosch.com
www.boschsecurity.com

Asia-Pacific:

Robert Bosch (SEA) Pte Ltd, Security Systems
11 Bishan Street 21
Singapore 573943
Phone: +65 6571 2808
Fax: +65 6571 2699
www.boschsecurity.com/xc/en/contact/
www.boschsecurity.com