

Horn Loudspeakers



LBC 3481/12



LBC 3491/12



LBC 3492/12



LBC 3493/12



Security Systems

EN | Installation and User Instructions
LBC 3481/12, LBC 3491/12
LBC 3492/12, LBC 3493/12

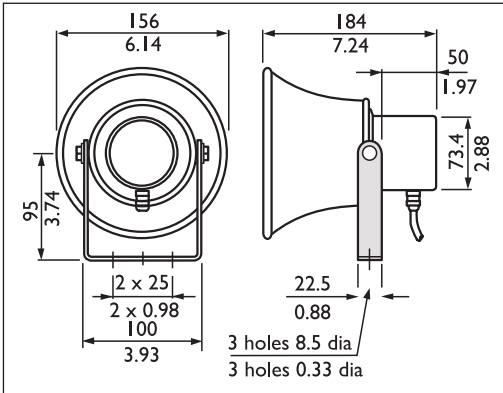
BOSCH

Technical performance data acc. to IEC 268-5

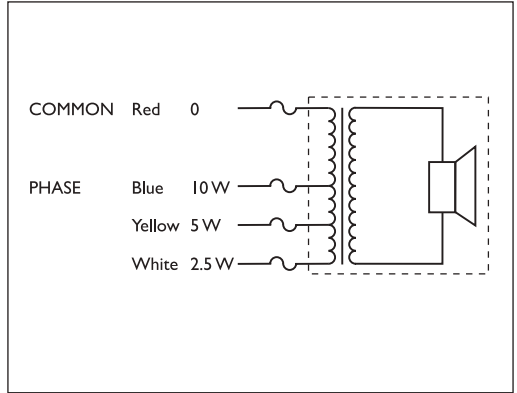
Max. power
 Rated power (PHC)
 Sound pressure level at rated power/1 W
 (at 1 kHz, 1 m)
 Effective frequency range (-10 dB)
 Opening angle (at 1 kHz/4 kHz, -6dB)
 Rated voltage
 Rated impedance
 Ambient temperature range
 Water- and dust protected
 Safety
 Connection
 Dimensions
 aperture dia.
 overall length
 Colour
 Weight

LBC 3481/12

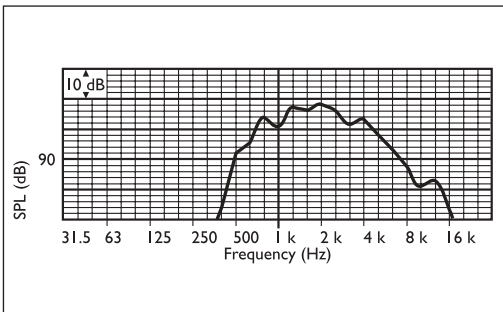
15 W
 10 W (10 - 5 - 2.5 W)
 113 dB/103 dB (SPL)
 500 Hz to 7 kHz
 160°/50°
 100 V
 1000 Ω
 -25 to +55 °C
 acc. to IEC 60529 IP 65
 acc. to EN 60065
 4-wire cable, 2 m long
 156 mm (6.14 in)
 184 mm (7.24 in)
 Light grey (RAL 7035)
 1.25 kg (2.75 lb)



Dimensions (in mm and inches)



Circuit diagram



Frequency response

Technical performance data acc. to IEC 268-5

Max. power
 Rated power (PHC)
 Sound pressure level at rated power/1 W
 (at 1 kHz, 1 m)
 Effective frequency range (-10 dB)
 Opening angle (at 1 kHz/4 kHz, -6dB)
 horizontal
 vertical
 Rated voltage
 Rated impedance
 Ambient temperature range
 Water- and dust protected
 Safety
 Connection
 Dimensions
 aperture
 overall length
 Colour
 Weight

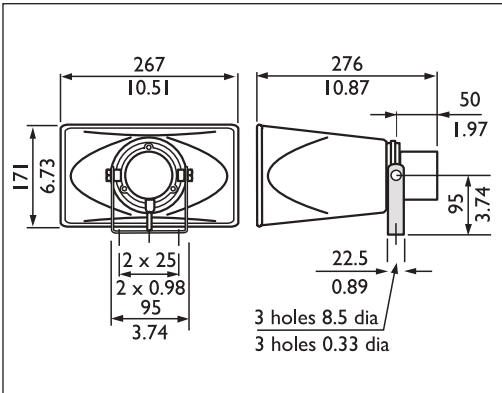
LBC 3491/12

15 W
 10 W (10 - 5 - 2.5 W)
 118 dB/108 dB (SPL)

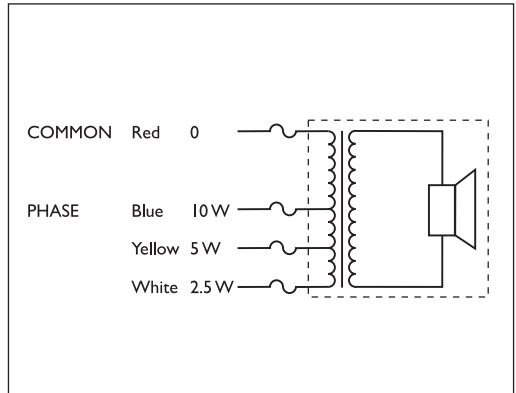
 480 Hz to 5.5 kHz

 90°/40°
 130°/45°
 100 V
 1000 Ω
 -25 to +55 °C
 acc. to IEC 60529 IP 65
 acc. to EN 60065
 4-wire cable, 2 m long

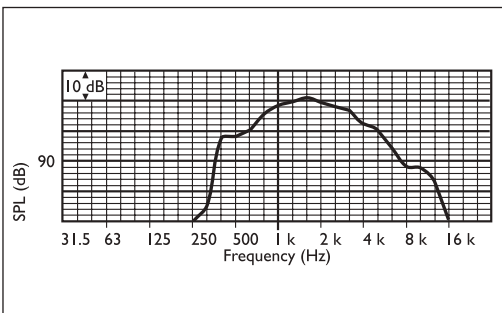
 267 x 171 mm (10.51 x 6.73 in)
 276 mm (10.87 in)
 Light grey (RAL 7035)
 1.4 kg (3.08 lb)



Dimensions (in mm and inches)



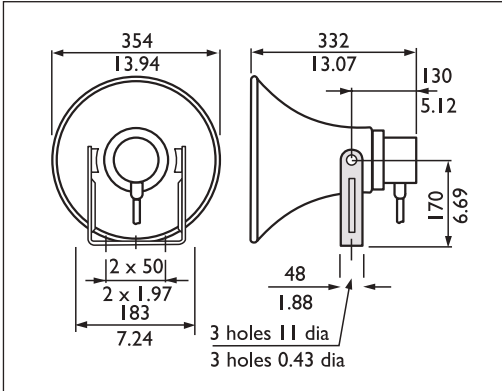
Circuit diagram



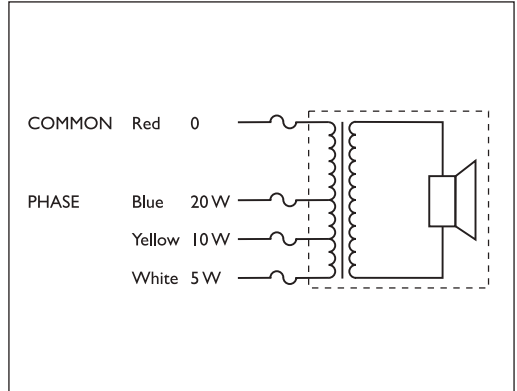
Frequency response

Technical performance data acc. to IEC 268-5

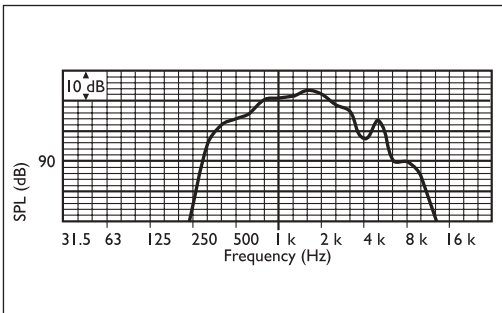
Max. power	LBC 3492/12 30 W
Rated power (PHC)	20 W (20 - 10 - 5 W)
Sound pressure level at rated power/1 W (at 1 kHz, 1 m)	123 dB/110 dB (SPL)
Effective frequency range (-10 dB)	380 Hz to 5.5 kHz
Opening angle (at 1 kHz/4 kHz, -6dB)	80°/35°
Rated voltage	100 V
Rated impedance	500 Ω
Ambient temperature range	-25 to +55 °C
Water- and dust protected	acc. to IEC 60529 IP 65
Safety	acc. to EN 60065
Connection	4-wire cable, 2 m long
Dimensions	
aperture dia.	354 mm (13.94 in)
overall length	332 mm (13.07 in)
Colour	Light grey (RAL 7035)
Weight	2.65 kg (5.83 lb)



Dimensions (in mm and inches)



Circuit diagram

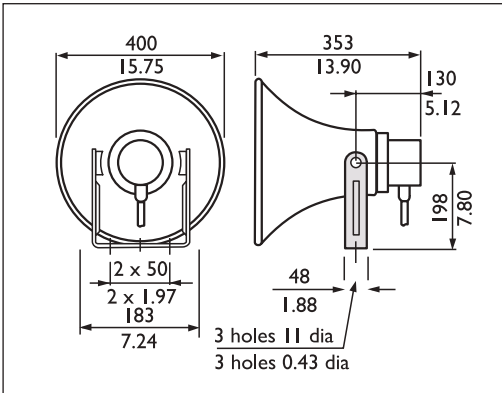


Frequency response

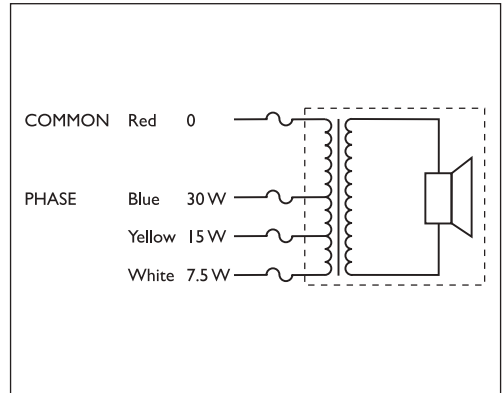
Technical performance data acc. to IEC 268-5

Max. power
 Rated power (PHC)
 Sound pressure level at rated power/1 W
 (at 1 kHz, 1 m)
 Effective frequency range (-10 dB)
 Opening angle (at 1 kHz/4 kHz, -6dB)
 Rated voltage
 Rated impedance
 Ambient temperature range
 Water- and dust protected
 Safety
 Connection
 Dimensions
 aperture dia.
 overall length
 Colour
 Weight

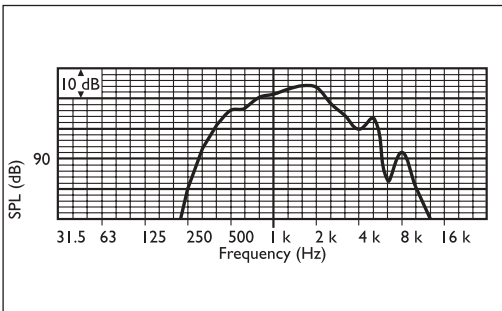
LBC 3493/12
 45 W
 30 W (30 - 15 - 7.5 W)
 126 dB/111 dB (SPL)
 380 Hz to 5 kHz
 70°/40°
 100 V
 333 Ω
 -25 to +55 °C
 acc. to IEC 60529 IP 65
 acc. to EN 60065
 4-wire cable, 2 m long
 400 mm (15.75 in)
 353 mm (13.90 in)
 Light grey (RAL 7035)
 3 kg (6.6 lbs)



Dimensions (in mm and inches)

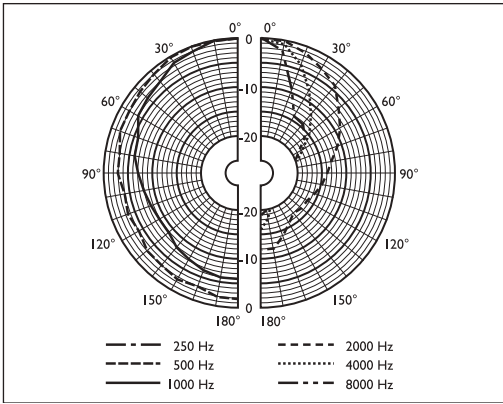


Circuit diagram

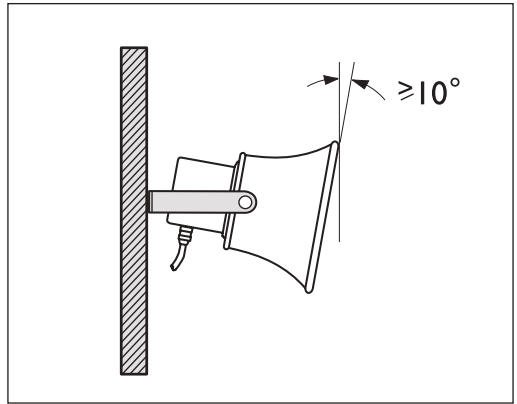


Frequency response

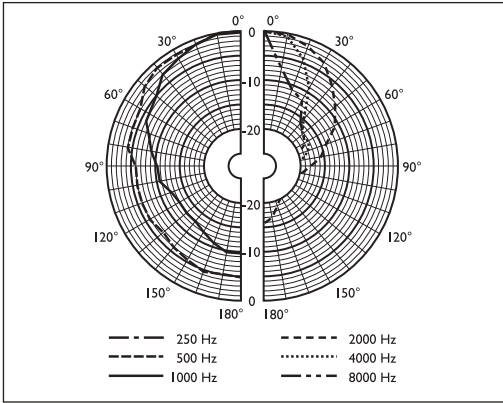
LBC 3481/12



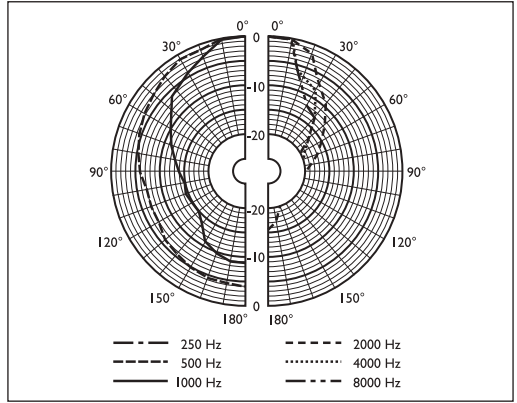
Polar diagram (measured with pink noise)



LBC 3491/12

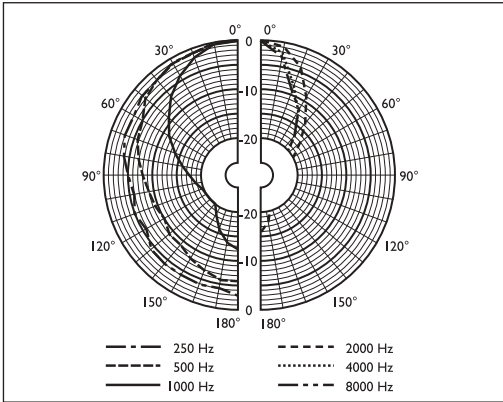


Polar diagram vertical (measured with pink noise)



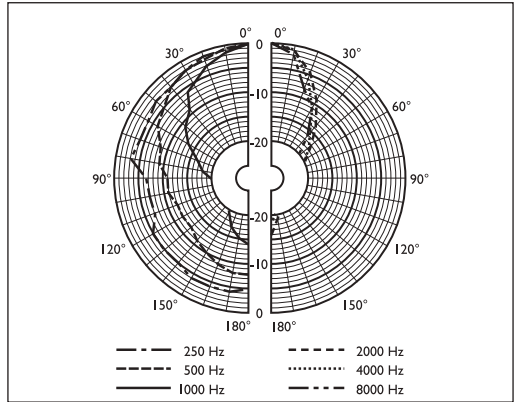
Polar diagram horizontal (measured with pink noise)

LBC 3492/12



Polar diagram (measured with pink noise)

LBC 3493/12



Polar diagram (measured with pink noise)